

FIG. 1

FOLD UP UNDERFRAME

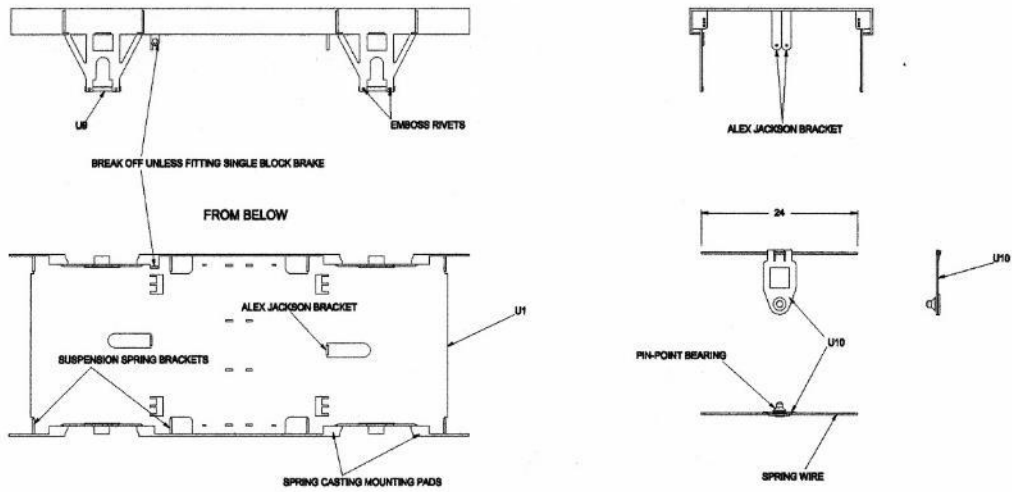


FIG. 2

CHECK WHEELS / AXLES / SUSPENSION

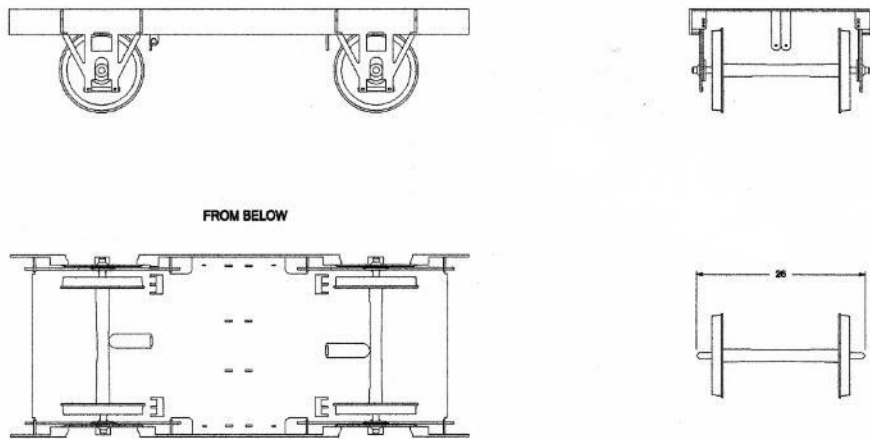
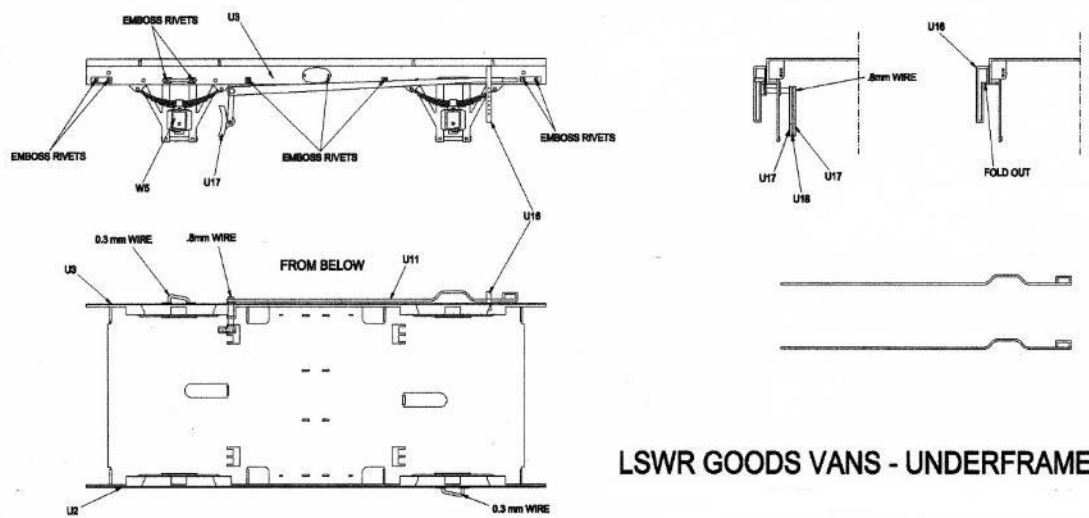


FIG. 3

SINGLE BLOCK BRAKE WITH LEVER ON ONE SIDE



LSWR GOODS VANS - UNDERFRAME

FIG. 4

DOUBLE BLOCK BRAKE

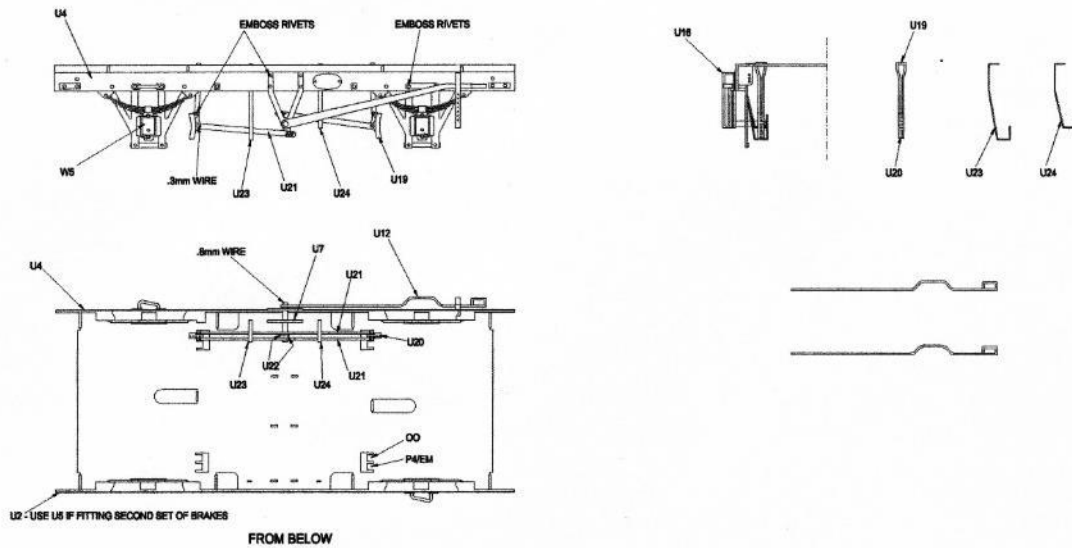


FIG. 5

MORTON BRAKE

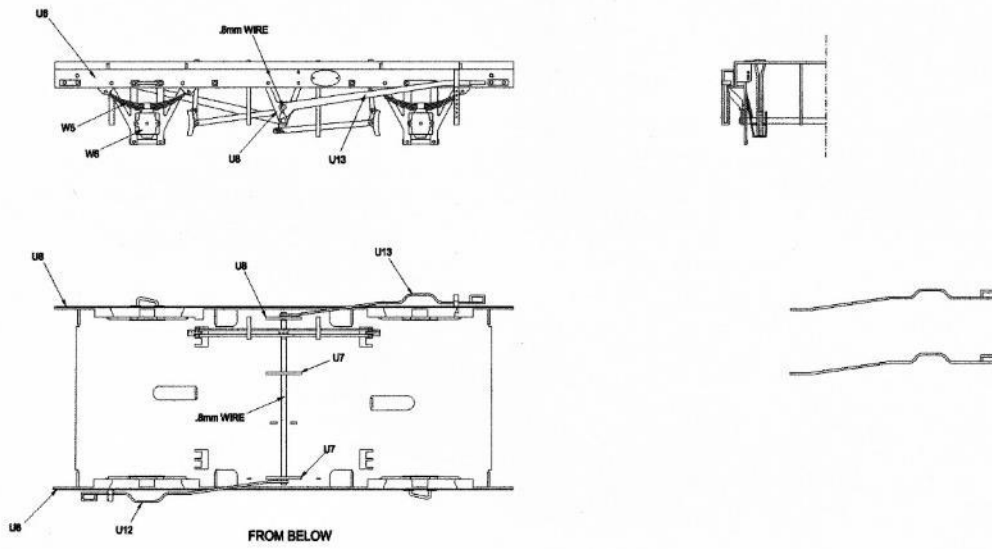
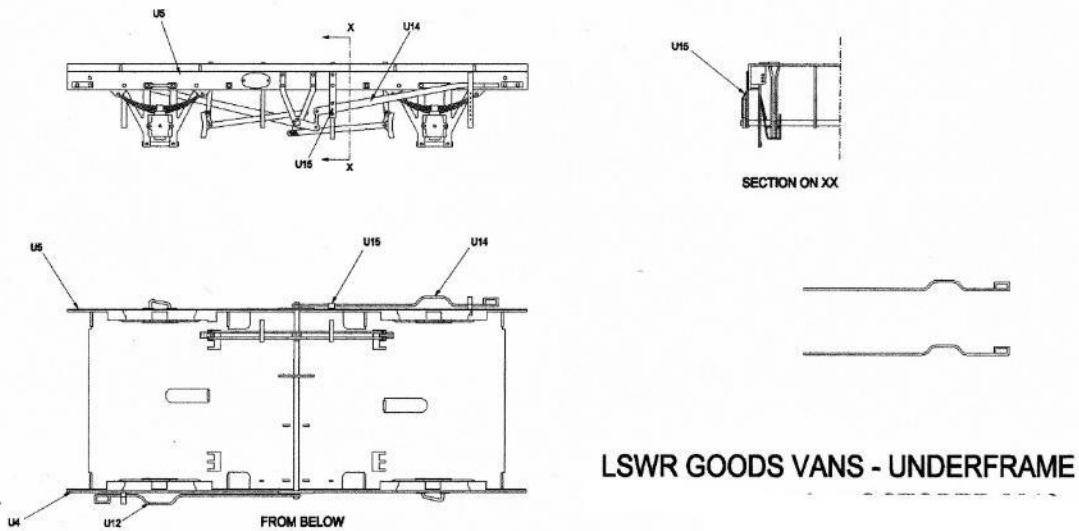


FIG. 6

LIFT - LINK BRAKE



LSWR GOODS VANS - UNDERFRAME

FIG. 7

SIDES

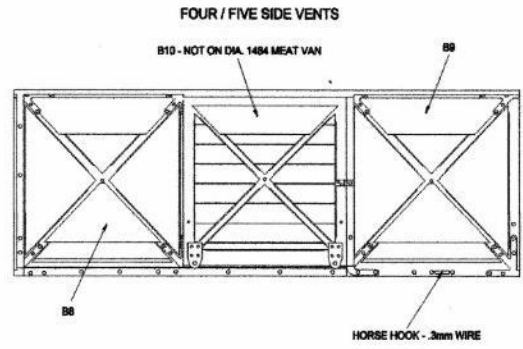
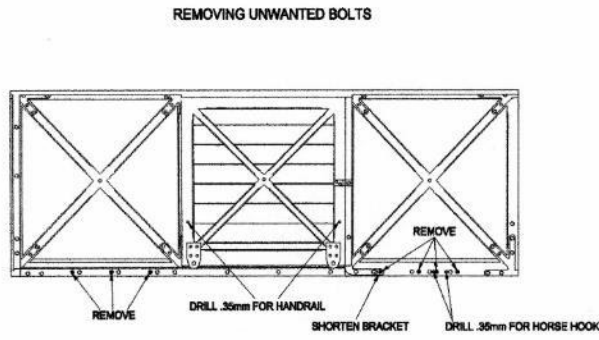


FIG. 8

SIDE PLANKING

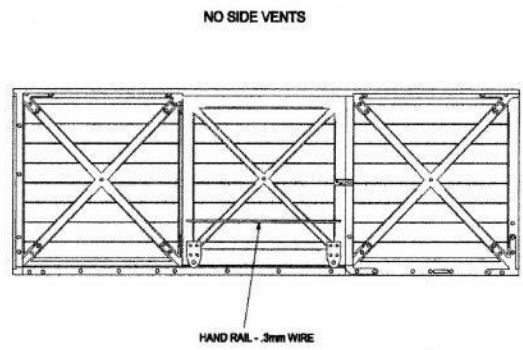
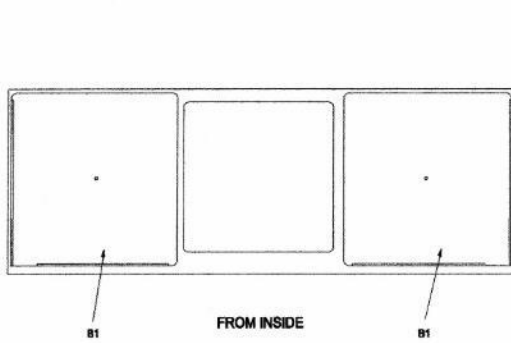


FIG. 9

ENDS

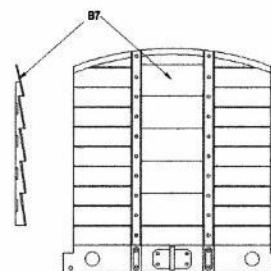
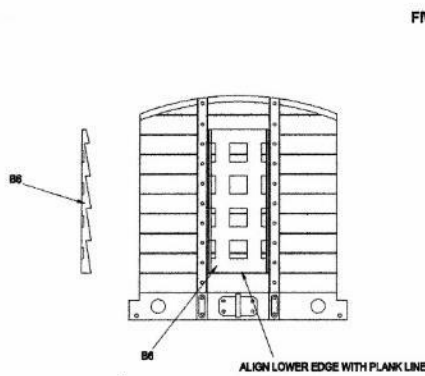
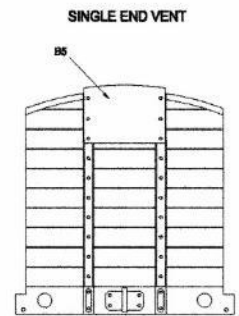
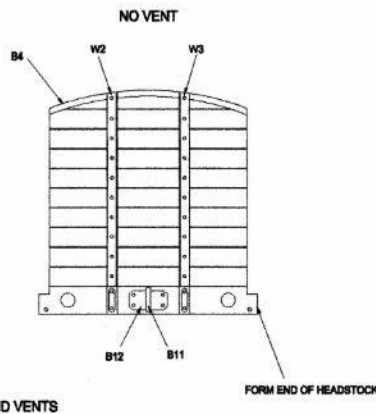
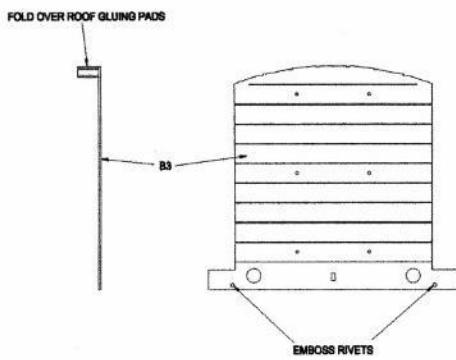


FIG. 10

DIA. 1410 COVERED GOODS WAGON

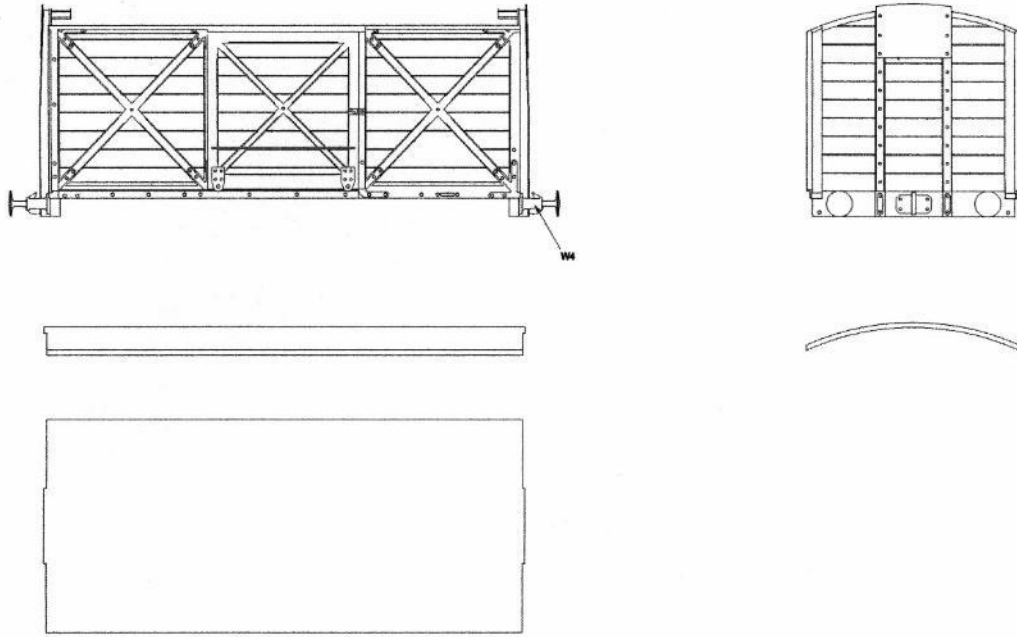


FIG. 11

DIA. 1413 VENTILATED VAN FOR BUTTER TRAFFIC

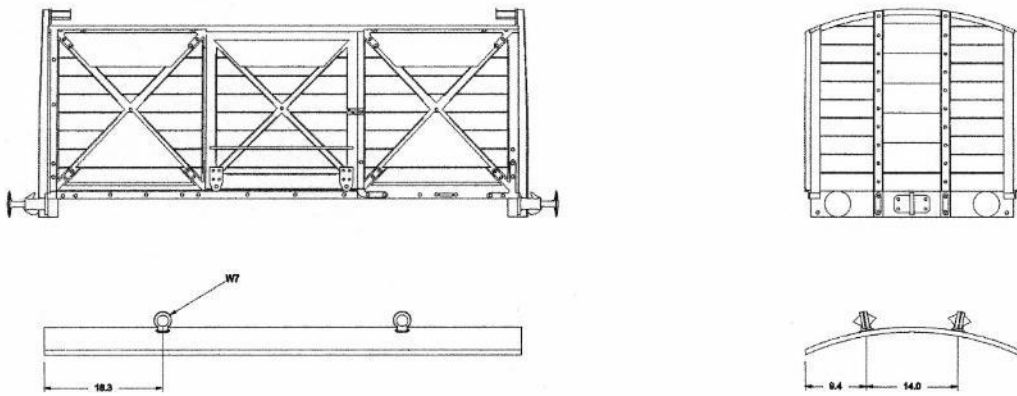
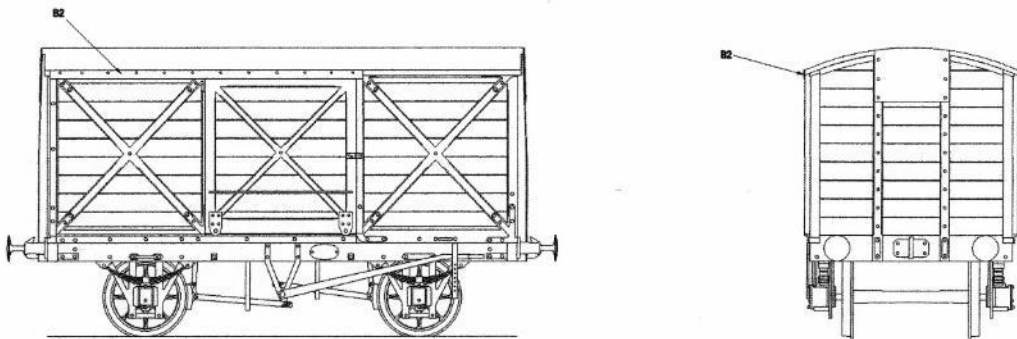


FIG. 12

DIA. 1410 WITH DOUBLE BLOCK BRAKE AND SINGLE END VENT



LSWR GOODS VANS - BODY

LSWR LOW ROOF COVERED GOODS WAGON - DIAGRAMS 1410, 1413 & 1484

